

THIS PRODUCT IS TO BE INSTALLED BY A CERTIFIED MECHANIC ONLY

RS433 Brake Side

INSTRUCTIONS

RS433 Brake Bracket

EXPLODED VIEW



INDEX



LUBRICATE



THREAD LOCK

OEM

USE FACTORY
PIECE



DO NOT
OVERTIGHTEN

F-124SH 8X30mm



H-121GC O-Ring

RSP19

RS433DGK

RS433DK



F-147 BH
8x35mm

RSP16K

F-145FH
8X40mm

RSP15K

RSP17K

F-146SH
8X20mm

F-146SH
8X20mm



RS433 Brake Side INSTRUCTIONS

RS433 Brake Lever

EXPLODED VIEW



INDEX



LUBRICATE



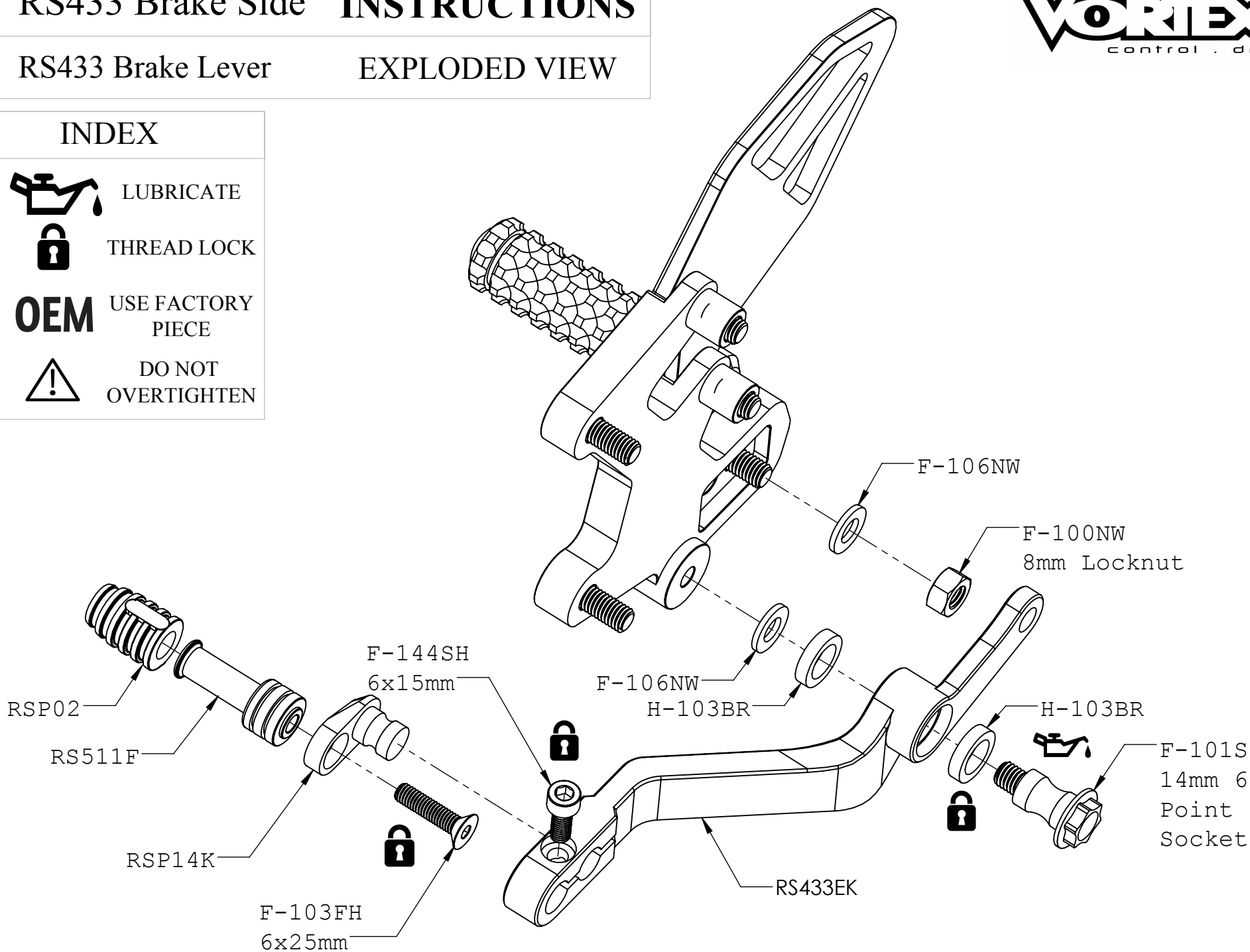
THREAD LOCK

OEM

USE FACTORY
PIECE



DO NOT
OVERTIGHTEN



1.800.440.3559

www.VORTEXRACING.com