

RS684 INSTRUCTIONS

TO BE INSTALLED BY A CERTIFIED MECHANIC ONLY | FOR RACE USE ONLY

BRAKE SIDE EXPLODED VIEW

FOR: YAMAHA FZ1 FZ8



INDEX



Lubricate



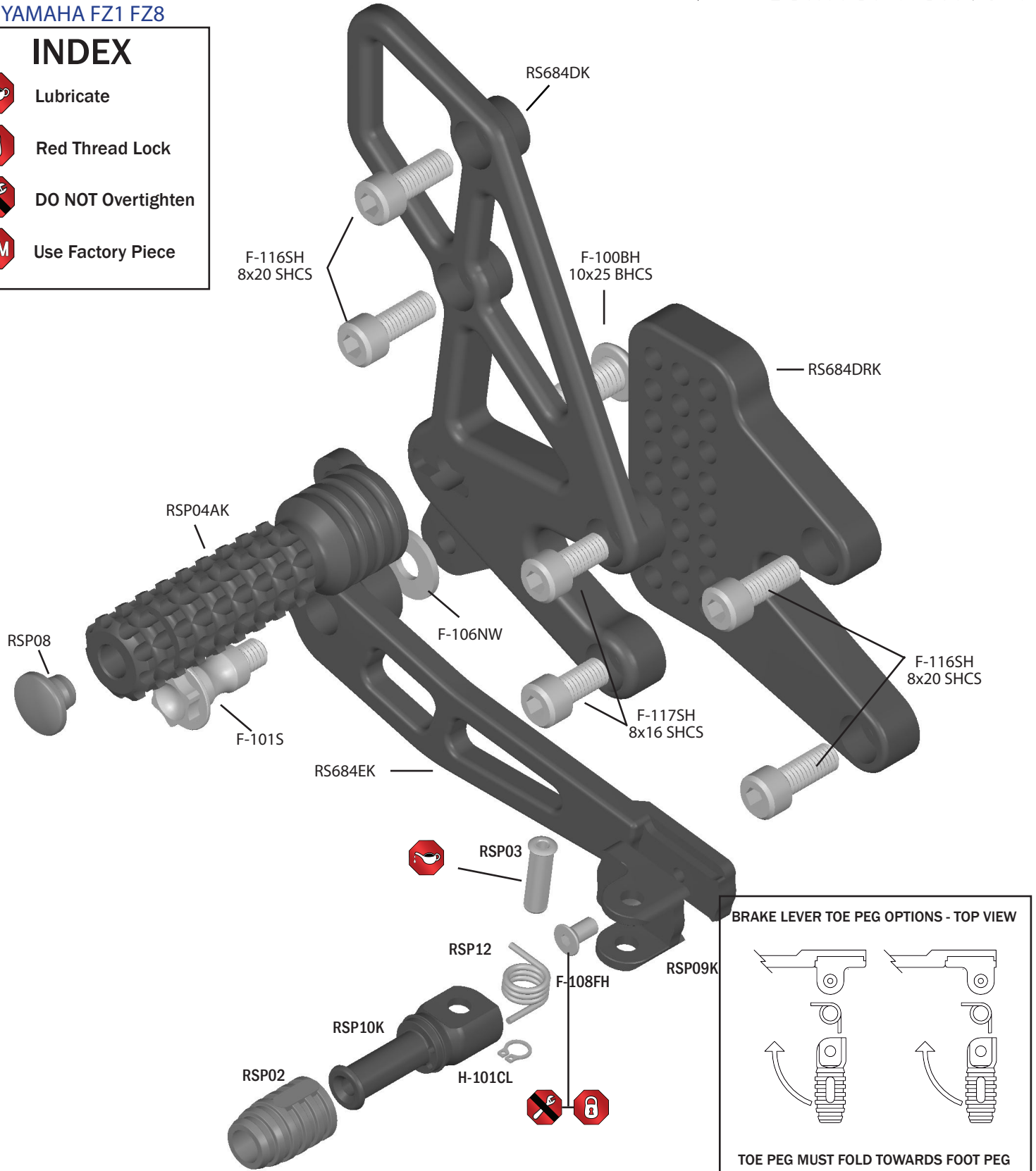
Red Thread Lock



DO NOT Overtighten



Use Factory Piece



BRAKE LIGHT INFO:

These rearsets do not use: OEM rear brake light switch, spring & lever return spring. In race form these rear sets no longer activate rear brake light from rear brake lever. Street use requires rear brake light to be activated by rear & front brake levers. To achieve rear brake light activation from rear brake lever use Vortex in-line pressure switch RS100.



1.800.440.3559

www.VORTEXRACING.com

RS684 INSTRUCTIONS

TO BE INSTALLED BY A CERTIFIED MECHANIC ONLY | FOR RACE USE ONLY

SHIFT SIDE EXPLODED VIEW

FOR: YAMAHA FZ1 FZ8



INDEX

- Lubricate
- Red Thread Lock
- DO NOT Overtighten
- Use Factory Piece

