

# RS634 Shift Side

# INSTRUCTIONS

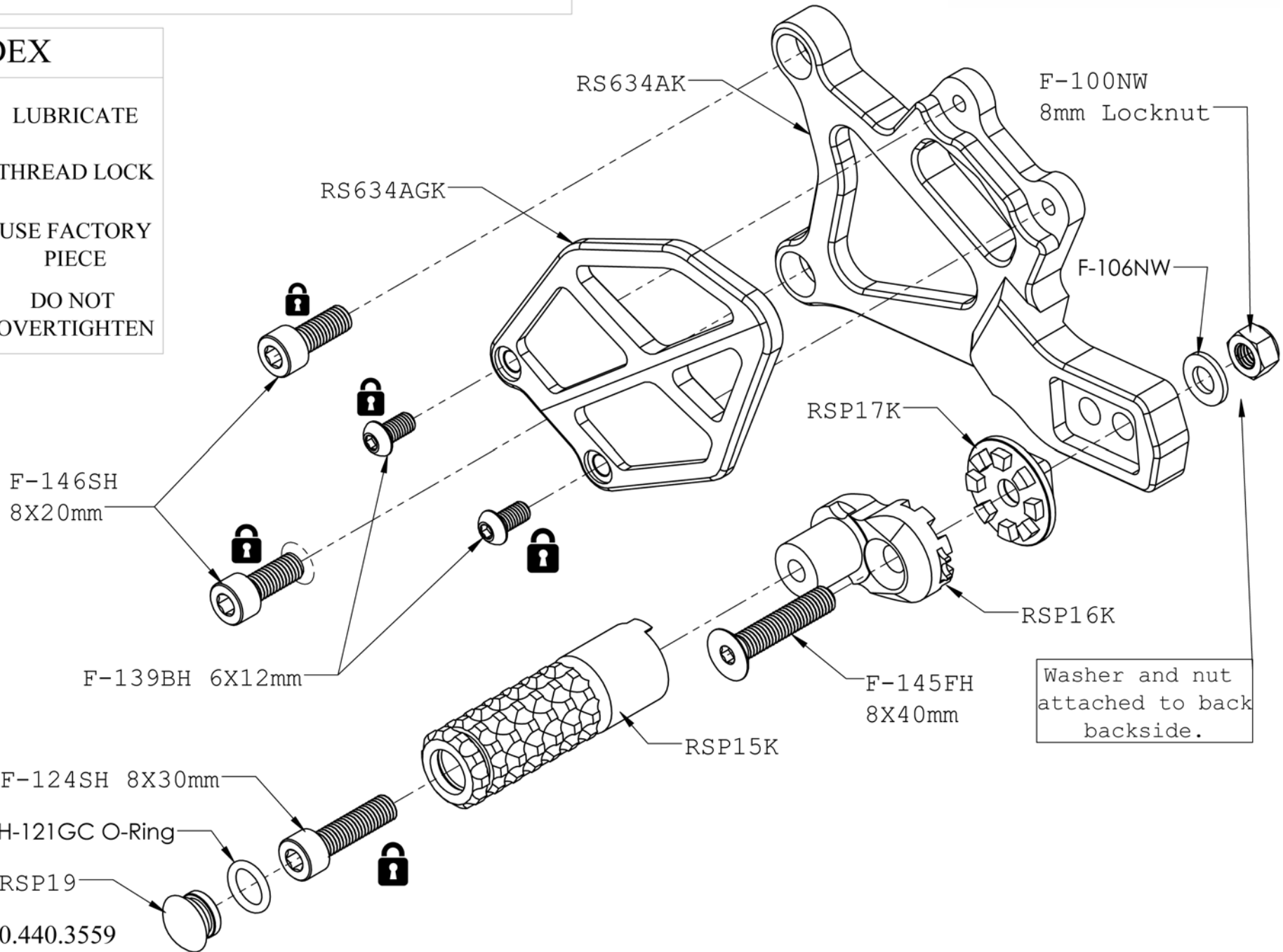
## RS634 Shift Bracket

## EXPLODED VIEW



### INDEX

-  LUBRICATE
-  THREAD LOCK
- OEM** USE FACTORY PIECE
-  DO NOT OVERTIGHTEN



# RS634 Shift Side

# INSTRUCTIONS

## RS634 Shift Lever

## EXPLODED VIEW



### INDEX



LUBRICATE



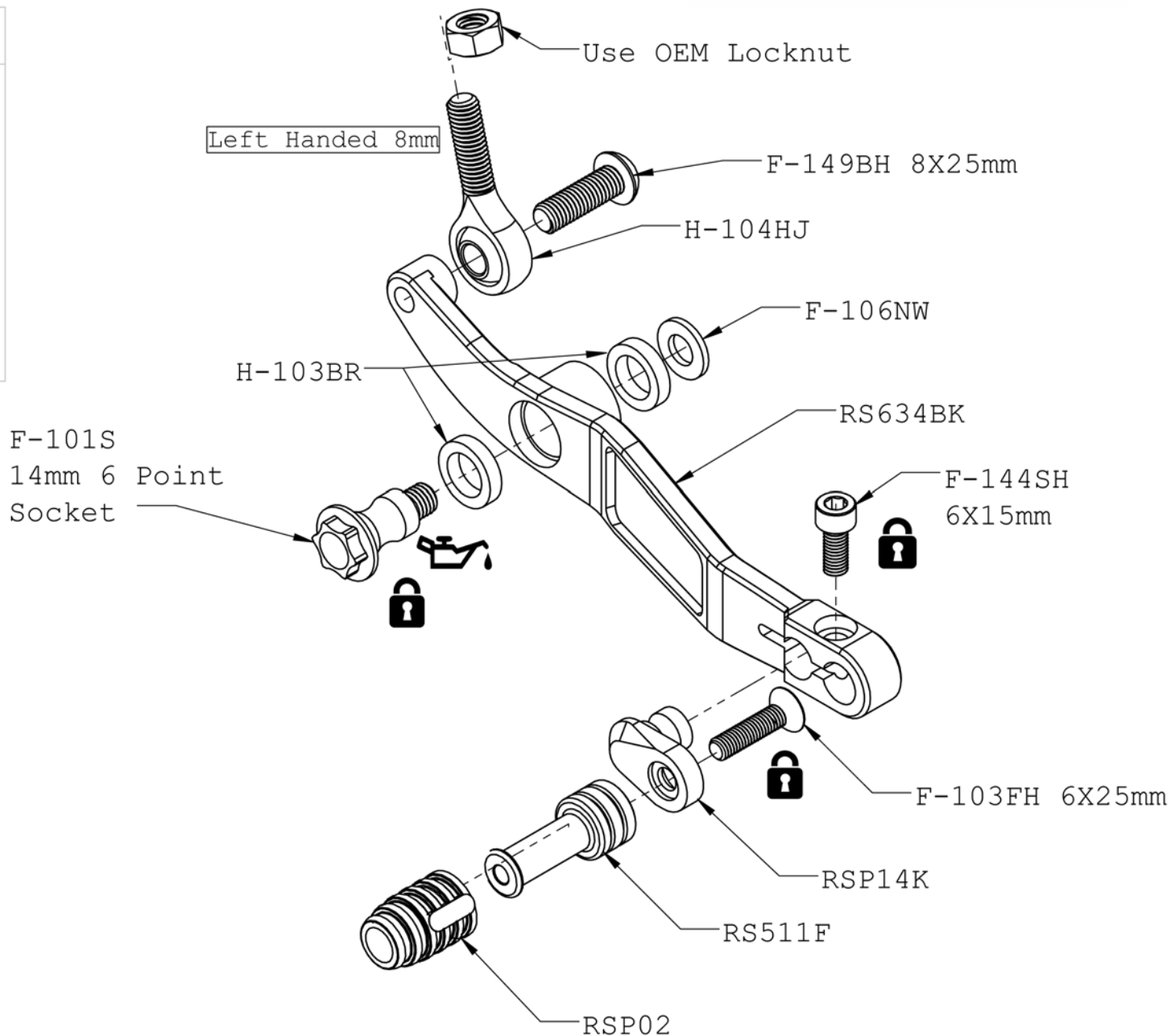
THREAD LOCK

OEM

USE FACTORY  
PIECE



DO NOT  
OVERTIGHTEN



1.800.440.3559

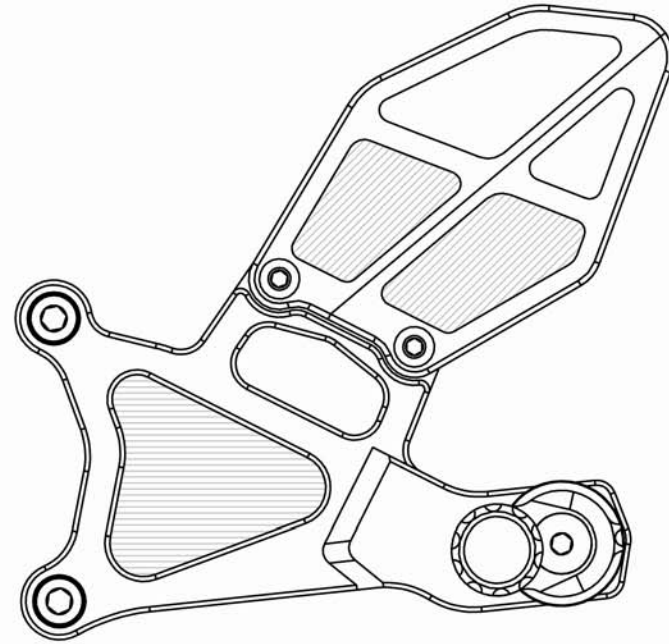
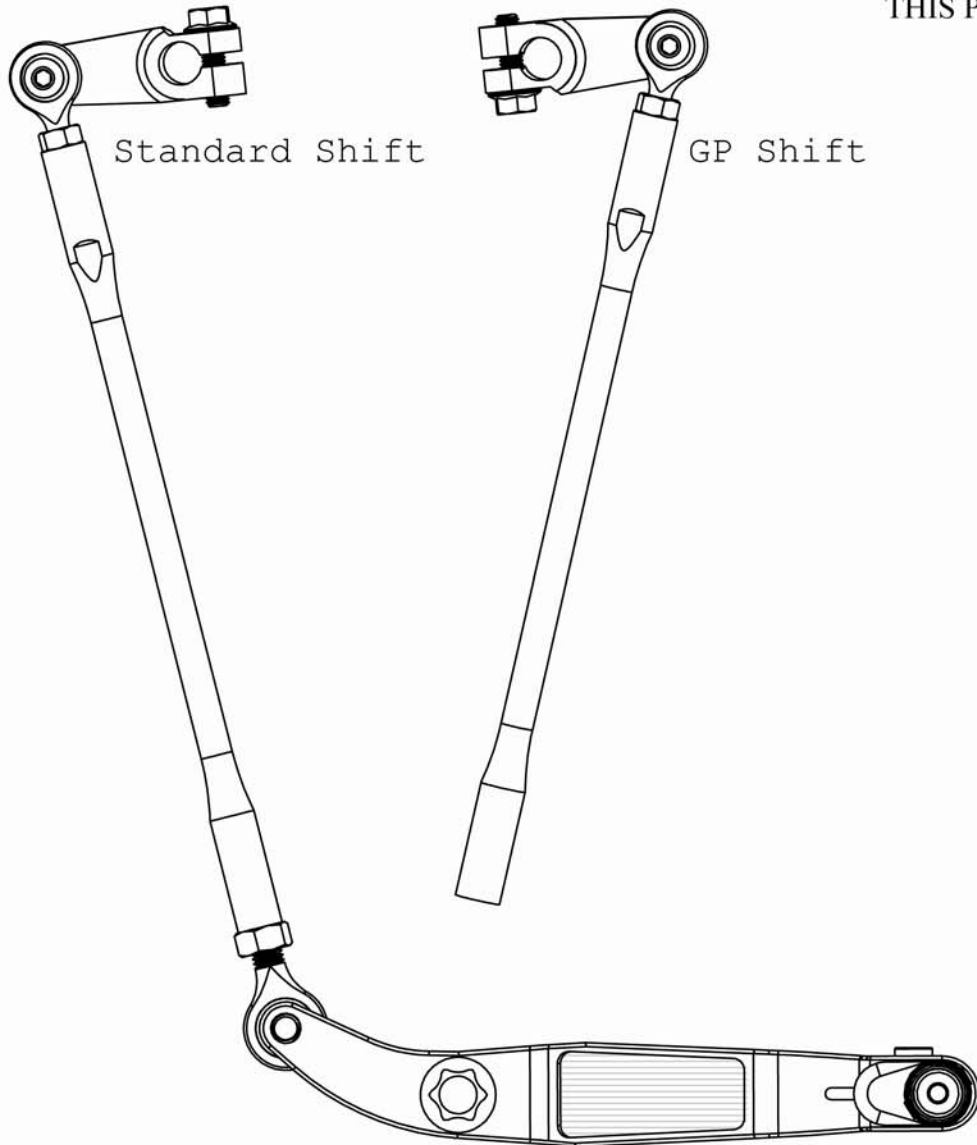
www.VORTEXRACING.com

# RS634 Shift Side INSTRUCTIONS

## ASSEMBLY INFO & EXPLODED VIEWS



THIS PRODUCT IS TO BE INSTALLED BY A CERTIFIED MECHANIC ONLY



**● OEM Footpeg Position**

**Adjustment Range from OEM**

Maximum Range: 17mm up & down  
21mm back, 30mm forward

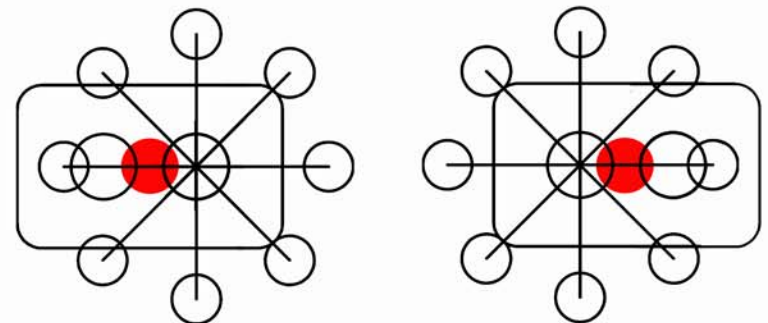


Chart not to scale

1.800.440.3559

www.VORTEXRACING.com