

RS634 Brake Side INSTRUCTIONS

RS634 Brake Bracket EXPLODED VIEW



INDEX



LUBRICATE



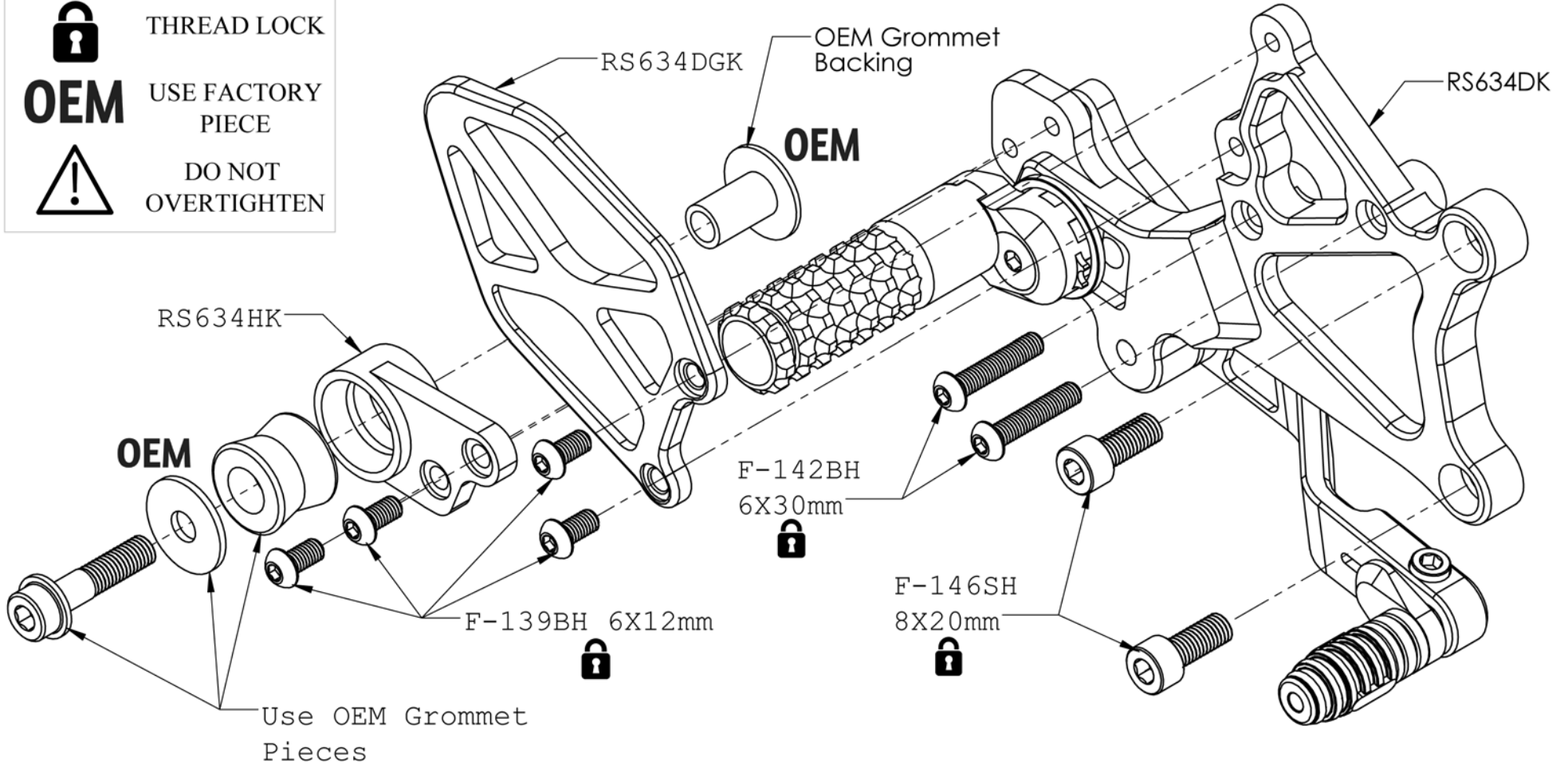
THREAD LOCK

OEM

USE FACTORY
PIECE



DO NOT
OVERTIGHTEN



RS634 Brake Side INSTRUCTIONS

RS634 Brake Footpeg EXPLODED VIEW



INDEX



LUBRICATE



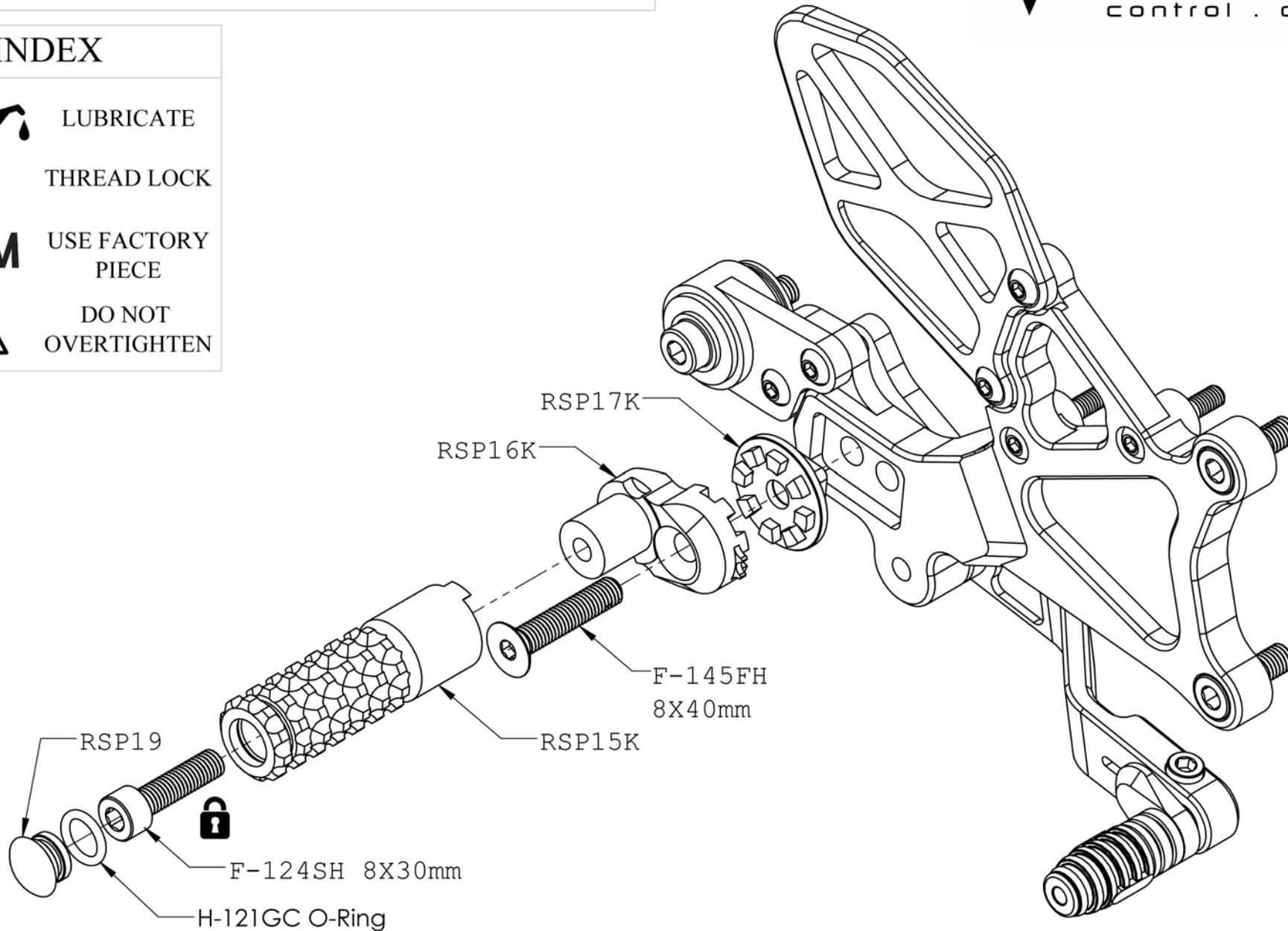
THREAD LOCK

OEM

USE FACTORY
PIECE



DO NOT
OVERTIGHTEN



1.800.440.3559

www.VORTEXRACING.com

RS634 Brake Side INSTRUCTIONS

RS634 Brake Lever EXPLODED VIEW



INDEX



LUBRICATE



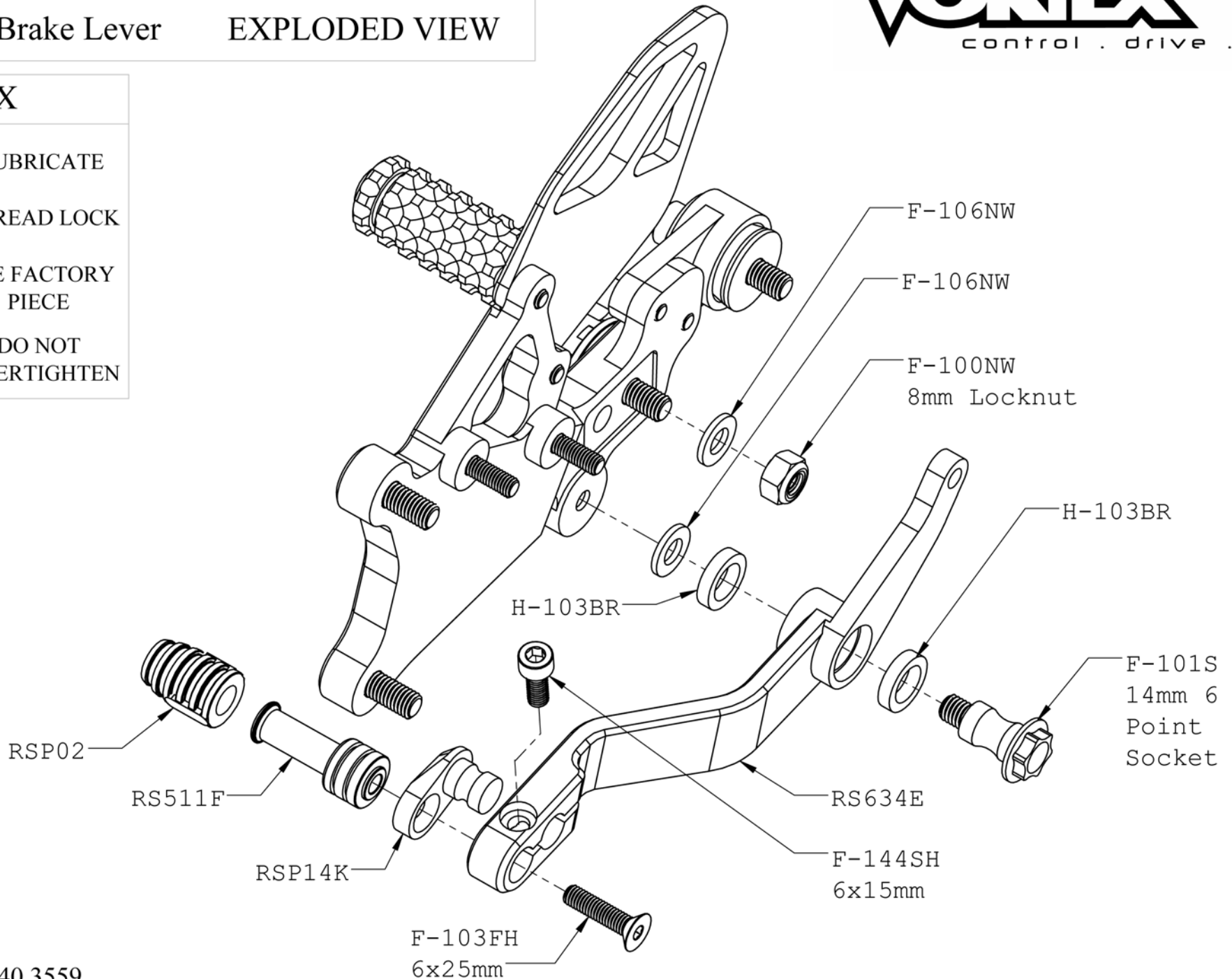
THREAD LOCK

OEM

USE FACTORY
PIECE



DO NOT
OVERTIGHTEN



1.800.440.3559

www.VORTEXRACING.com

RS634 Brake Side INSTRUCTIONS

ASSEMBLY & EXPLODED VIEWS



THIS PRODUCT IS TO BE INSTALLED BY A CERTIFIED MECHANIC ONLY

● **OEM Footpeg Position**

Adjustment Range from OEM

Maximum Range: 17mm up & down
21mm back, 30mm forward

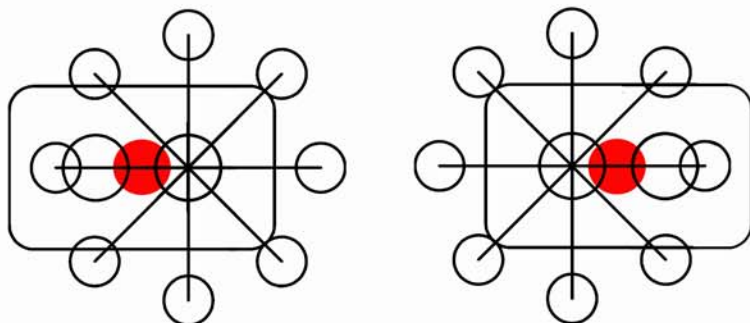
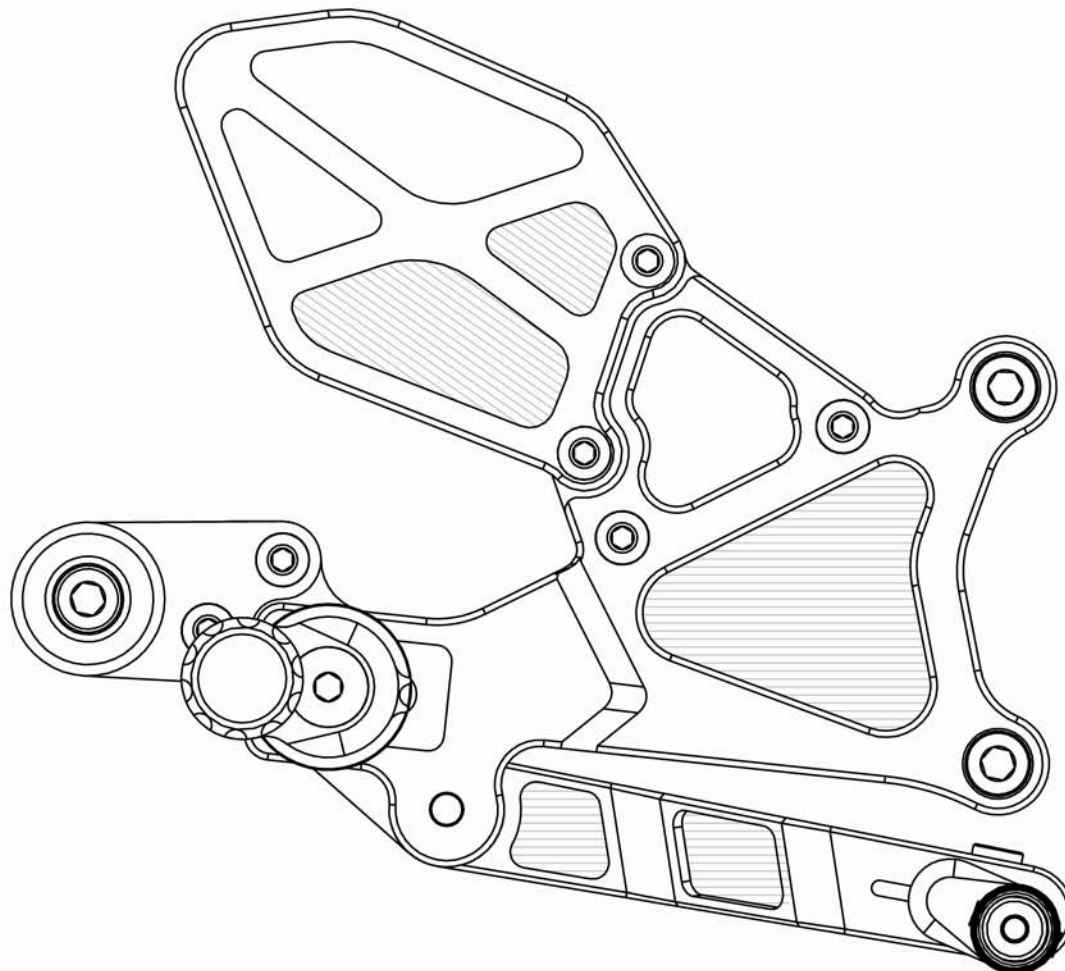


Chart not to scale



1.800.440.3559

www.VORTEXRACING.com