

# RS671 Shift Side INSTRUCTIONS

## ASSEMBLY INFO & EXPLODED VIEW

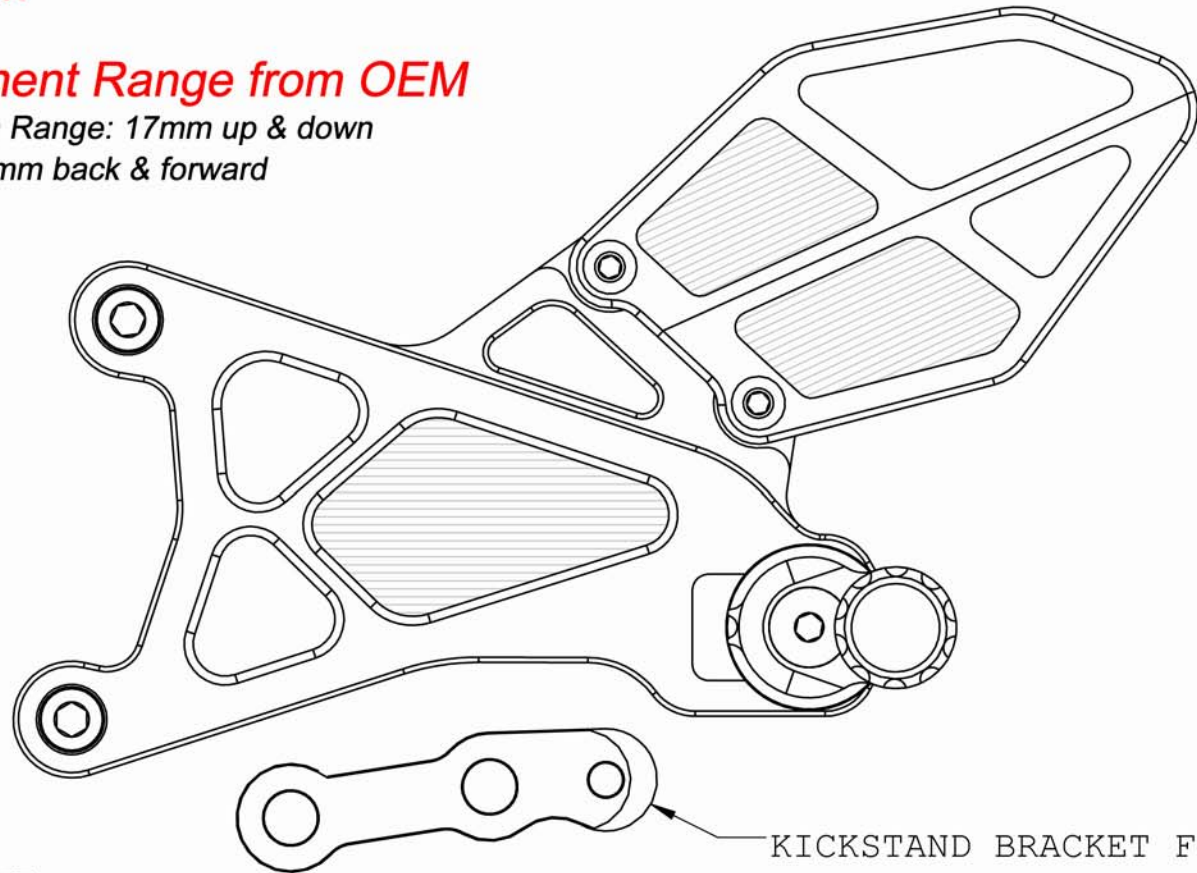
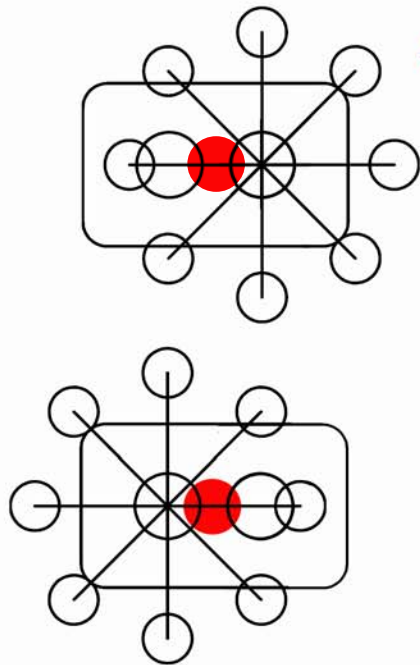


THIS PRODUCT IS TO BE INSTALLED BY A CERTIFIED MECHANIC ONLY

### ● OEM Footpeg Position

### Adjustment Range from OEM

Maximum Range: 17mm up & down  
23mm back & forward



STANDARD  
SHIFT

GP SHIFT

KICKSTAND BRACKET FOR  
RACE USE ONLY, ELIMINATES  
KICKSTAND

# RS671 Shift Side INSTRUCTIONS

## RS671 Shift Bracket EXPLODED VIEW



### INDEX



LUBRICATE



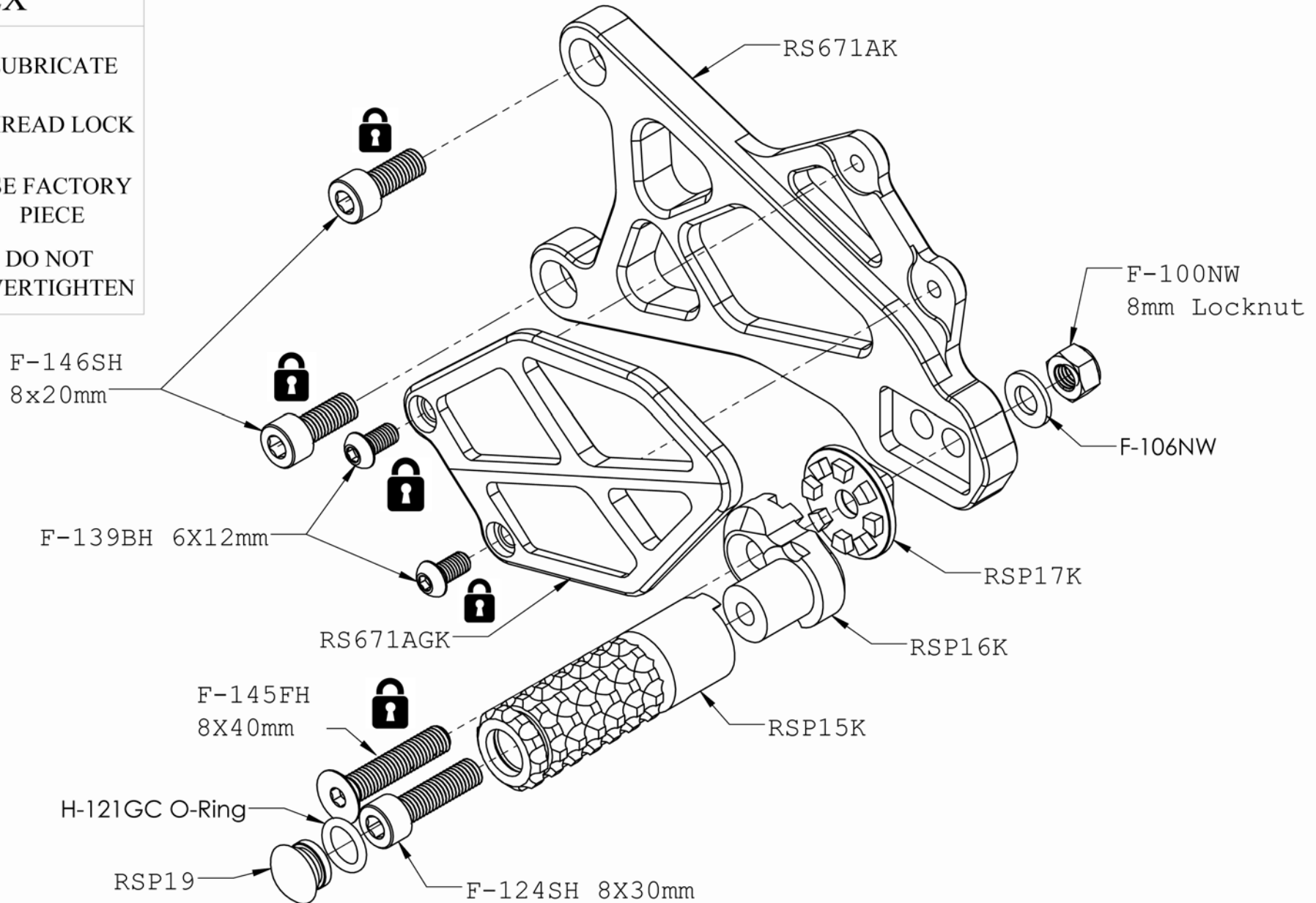
THREAD LOCK

**OEM**

USE FACTORY  
PIECE



DO NOT  
OVERTIGHTEN



1.800.440.3559

www.VORTEXRACING.com

INDEX



LUBRICATE



THREAD LOCK

OEM

USE FACTORY  
PIECE



DO NOT  
OVERTIGHTEN

